

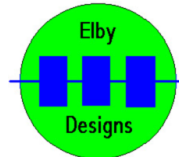
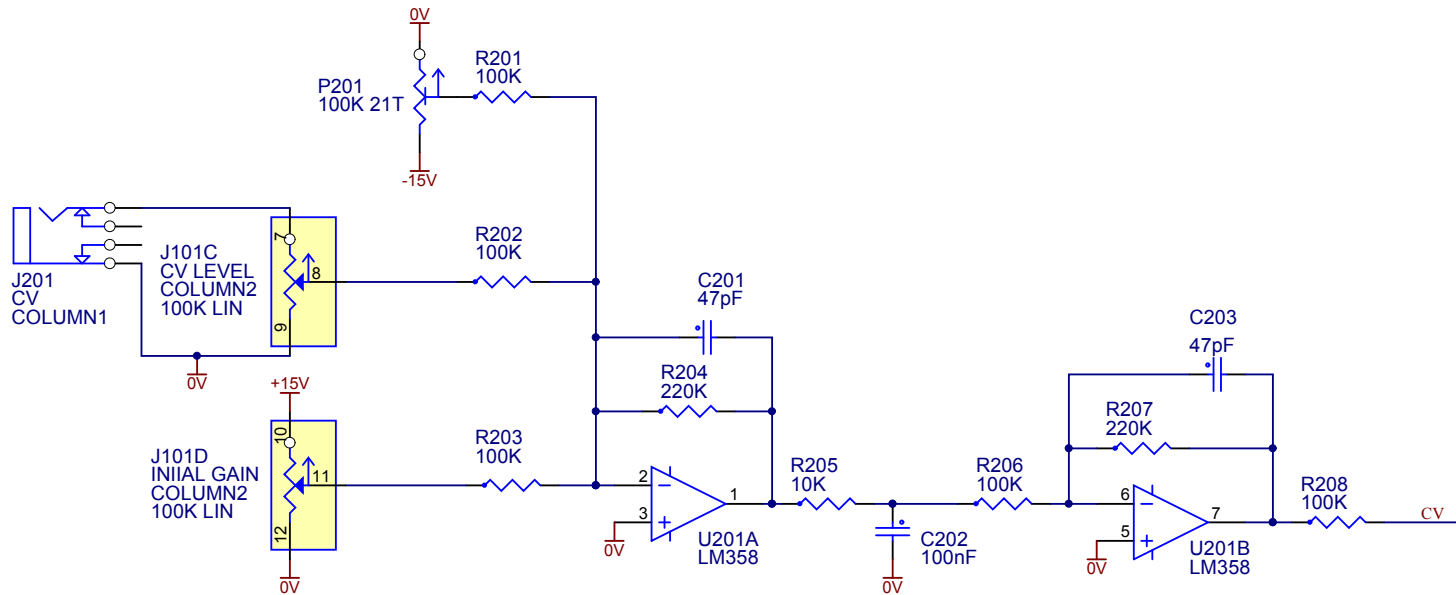
9 Follan Close
Kariang
NSW 2250
Australia

CGS765 - Tube VCA

Reproduced in collaboration with Ken Stone

Tube VCA

Size A4	FCSM No. 13/08/2013	DWG No. cgs765-main.schdoc	Rev 1.3
Scale	Laurie Biddulph		Sheet 1 of 4



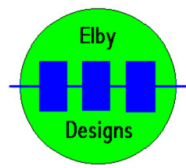
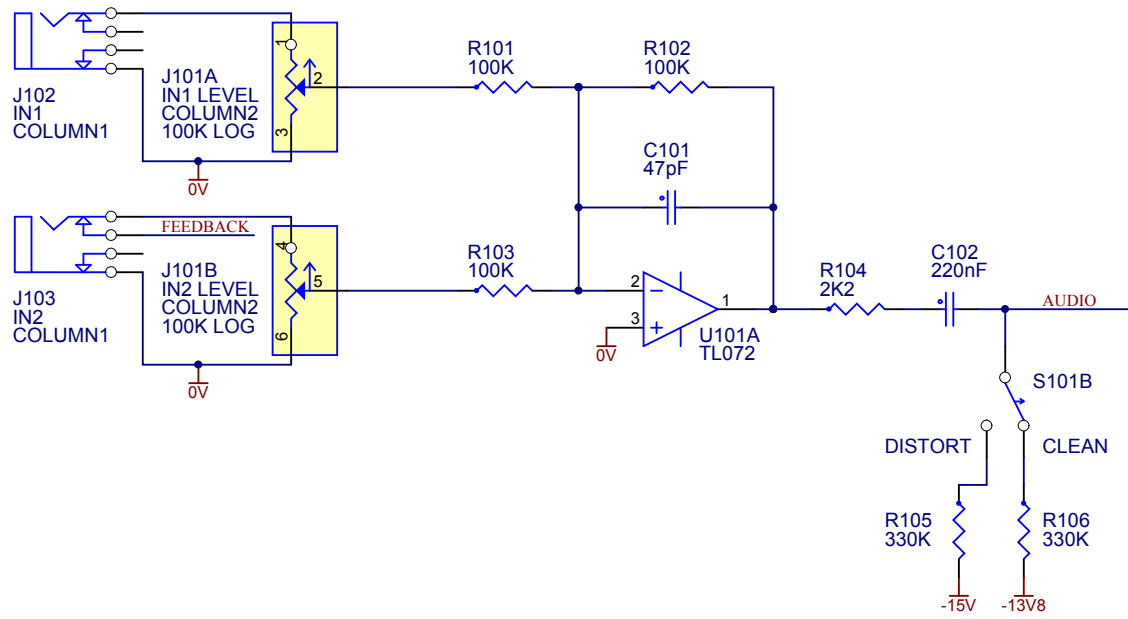
9 Follan Close
Kariang
NSW 2250
Australia

CGS765 - Tube VCA

Reproduced in collaboration with Ken Stone

Tube VCA - CV Control Stage

Size A4	FCSM No. 13/08/2013	DWG No. cgs765-control.schdoc	Rev 1.3
Scale		Laurie Biddulph	Sheet 2 of 4



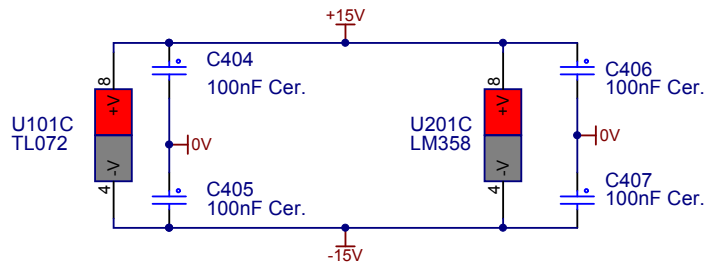
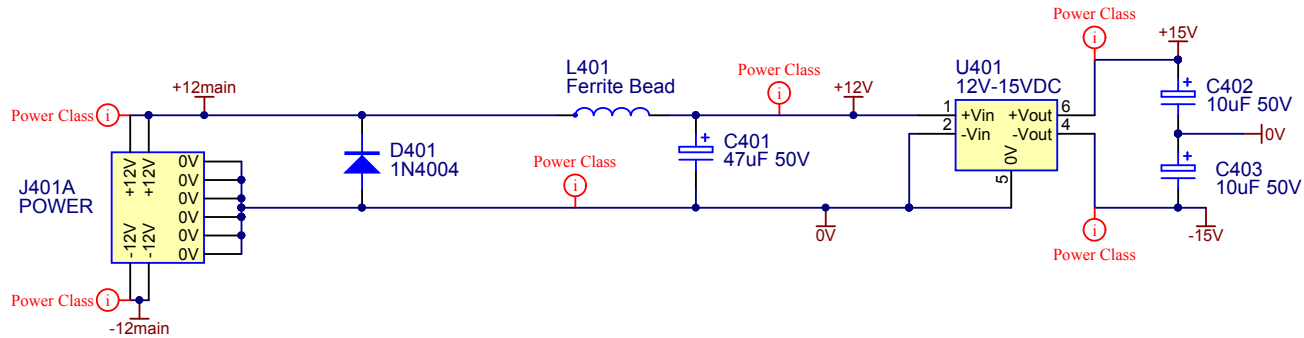
9 Follan Close
Kariang
NSW 2250
Australia

CGS765 - Tube VCA

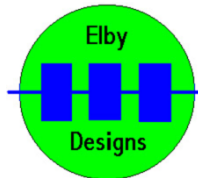
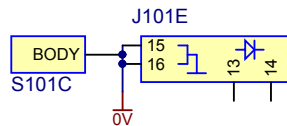
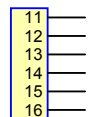
Reproduced in collaboration with Ken Stone

Tube VCA - Audio Input Stage

Size A4	FCSM No. 13/08/2013	DWG No. cgs765-audio.schdoc	Rev 1.3
Scale		Laurie Biddulph	Sheet 3 of 4



J401B POWER



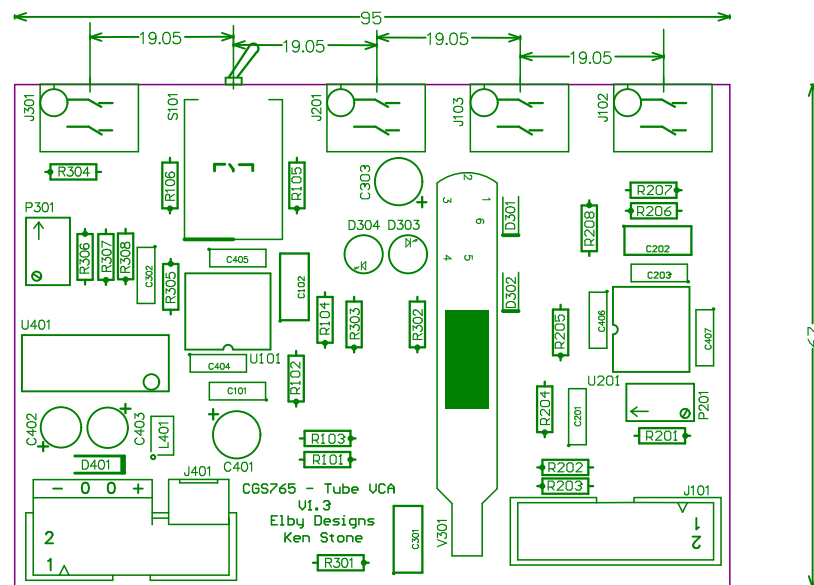
9 Follan Close
Kariang
NSW 2250
Australia

CGS765 - Tube VCA

Reproduced in collaboration with Ken Stone

Power Supply

Size A4	FCSM No. 13/08/2013	DWG No. cgs765-power.schdoc	Rev 1.3
Scale	Laurie Biddulph		Sheet 4 of 4



PCB finish: Lead-free HASL
 FR4, 1.6mm thick
 Matt White silk-screen to 2 sides
 Silk-screen quality is important
 Matt Blue solder-mask to 2 sides
 Finished external copper weight 1oz
 All vias to be tented (both sides)
 Boards to be supplied loose (not panellised)

Elby Designs
 Kariong, NSW 2250
 Australia
www.elby-designs.com

Panther CGS765

All dimensions in millimeters
 unless stated otherwise.

(A4) Do not scale

Rev: 1.3

Date: 28/03/13